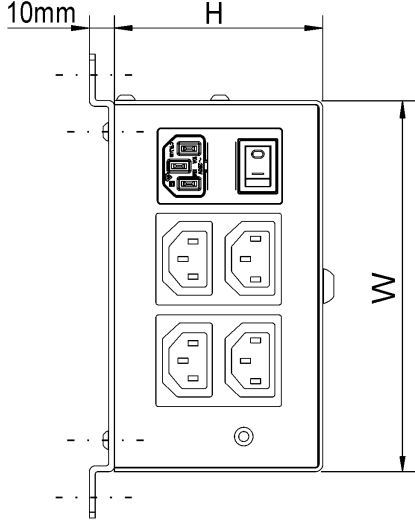
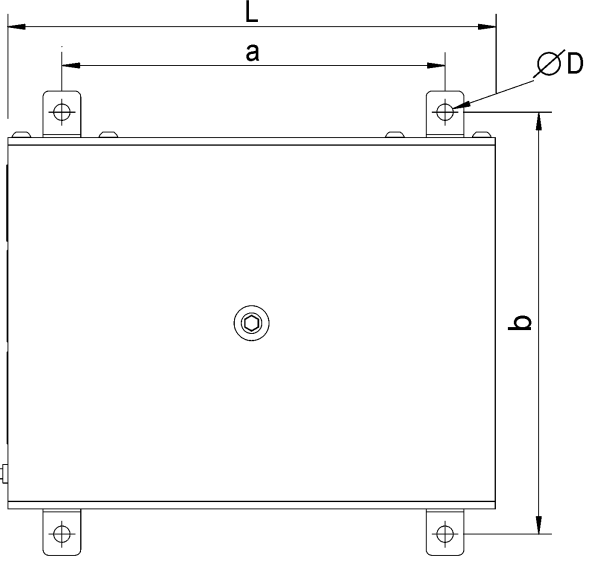
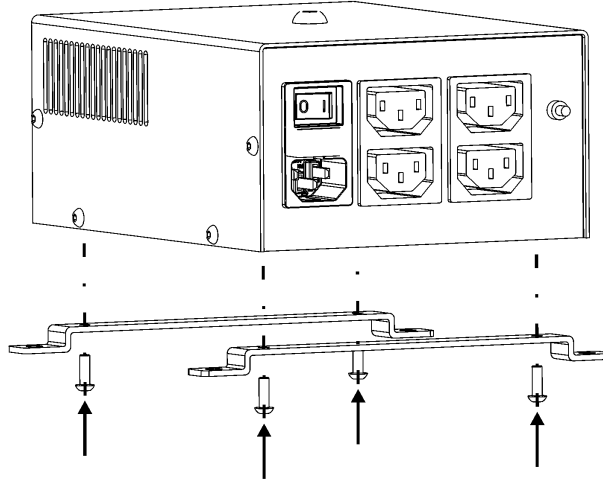
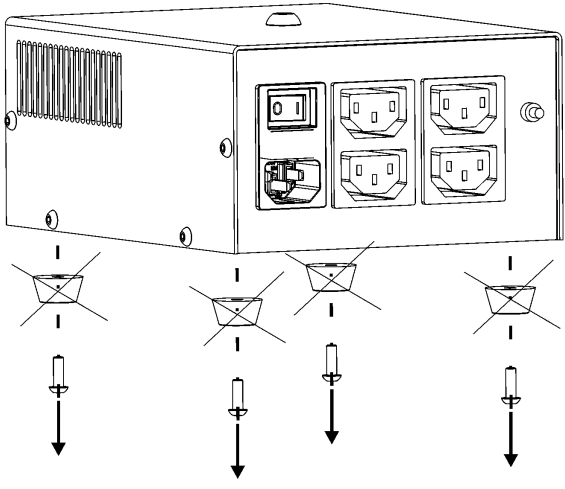


Assembly / Montage



Product Name	L	W	H	a	b	D
IMED _e 150	194	148	77	152.5	167.5	6.3
IMED _e / IMED _i 300	194	148	92	152.5	167.5	6.3
IMED _e / IMED _i 600	270	188	92	227	238	7.0
IMED _e / IMED _i 1000	305	218	110	263.5	238	7.0
IMED _e 2000	312	285	110	-	-	-

all dimensions in mm / Maßangabe in mm