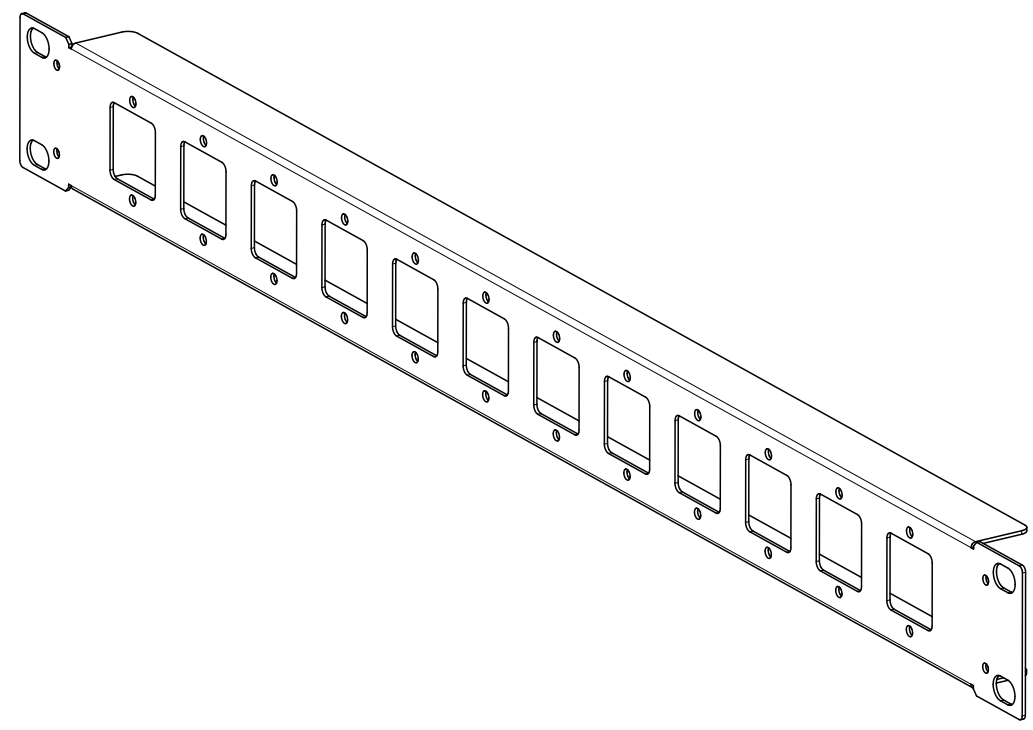
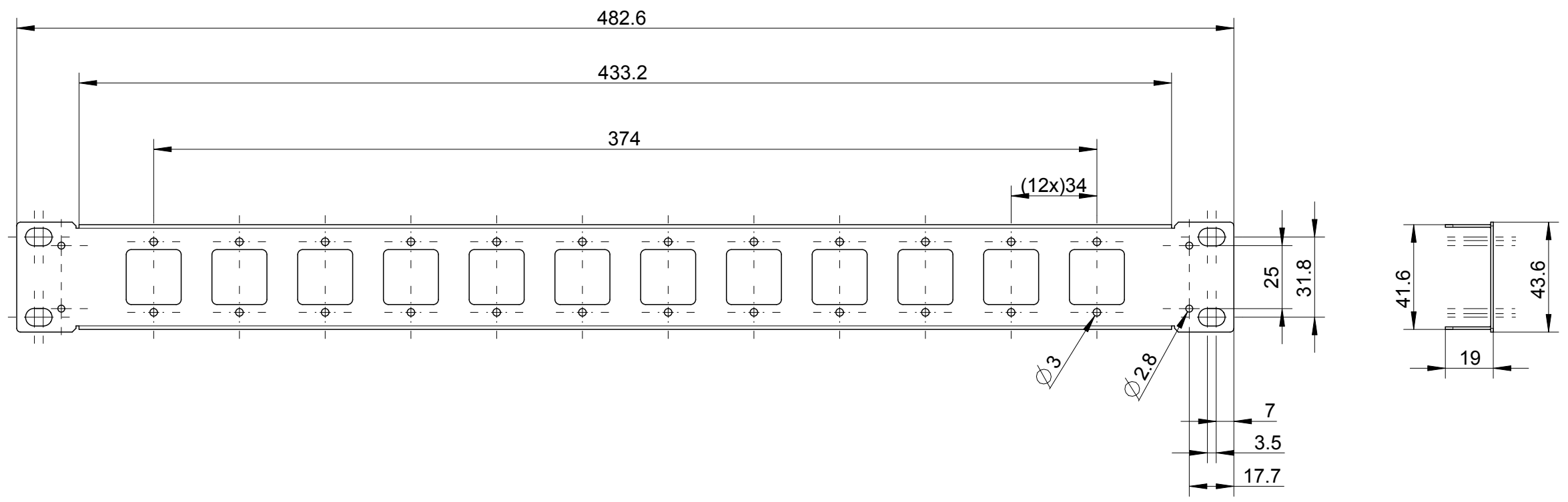


A

B

C

D



KOMONENT / PART LIST				
DIMENSIONS ARE IN MM	DRAWN	Keshishian	Feb-08-12	
NOT TOLERATED TOLERANCES ON	CHECK	Witte	Feb-09-12	
ISO 2768- m	APPD	Witte	Feb-09-12	EMO Systems GmbH Rungstrasse 19, 10179 Berlin, Germany
	APPD			
PROJECTION METHOD	APPD			DESCRIPTION Technical Drawing Z-EN50-RP
NEXT ASSY	MATERIAL Sheet Metal (1.5mm)			
PROJECT	FINISH (Oberflaeche) Powder Coated, matt black			SCALE 1:2
FIRST USAGE				DRAWING NUMBER PD1026
				REV 20
				CLASS
				SIZE A3
				SHEET 1 of 1